

LS2208

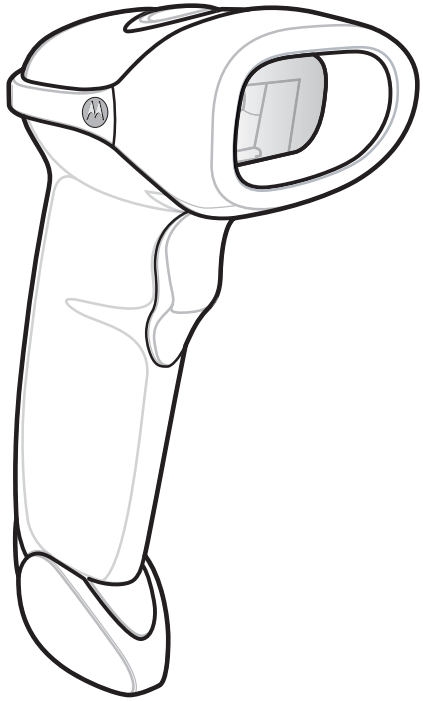
Quick Start Guide



STEP 1 - ATTACH CABLE TO SCANNER

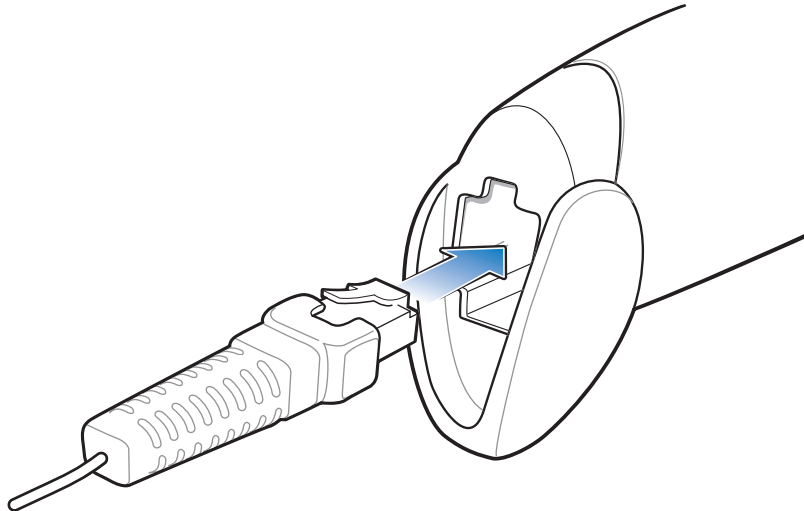
<http://www.motorola.com/ls2208>

POST IN WORK AREA

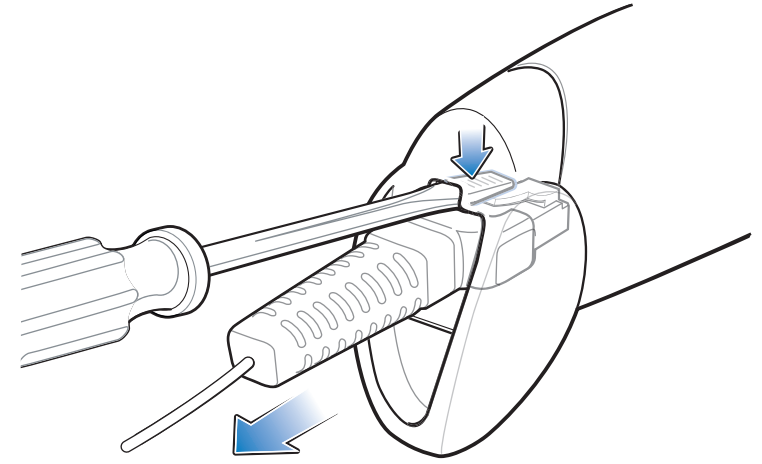


See Product Reference Guide for detailed information

Attach Cable



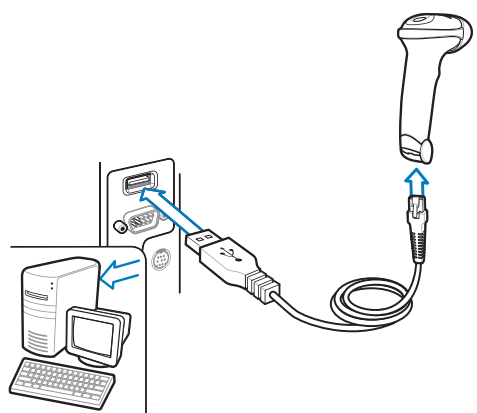
Remove Cable (to change interface)



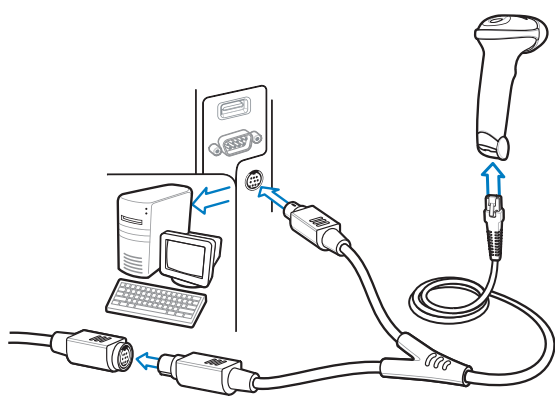
STEP 2 - CONNECT CABLE TO A HOST

NOTE: Cables may vary depending on configuration.

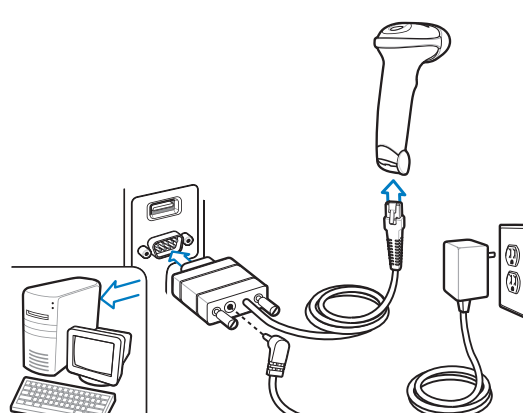
USB



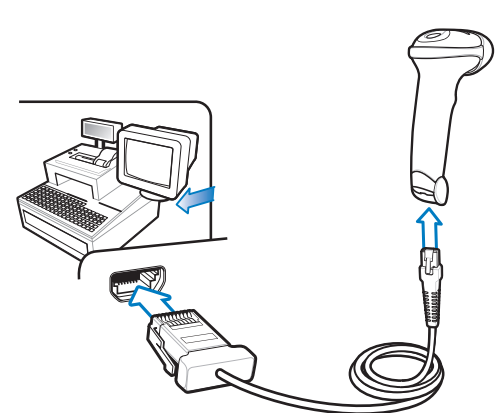
Keyboard Wedge



RS-232



IBM 46XX



STEP 3 - SET UP INTERFACE (Scan Host Bar Codes)

Important: Out of box, Keyboard Wedge and USB interfaces require no bar code scan setup. Bar codes are provided for complex programming or interface changes.

USB

Scan **ONE** of the bar codes below



IBM HAND-HELD USB



HID KEYBOARD EMULATION

Keyboard Wedge

Scan **ONE** of the bar codes below



IBM AT Notebook



IBM PC/AT and IBM PC COMPATIBLE

RS-232

Scan **ONE** of the bar codes below



OPOS/JPOS



STANDARD RS-232

IBM 46XX

Scan **ONE** of the bar codes below



ADD AN ENTER KEY (CARRIAGE RETURN/LINE FEED)

To add an **ENTER** key after scanned data, scan all **THREE** bar codes below in numerical order.

1



SCAN OPTIONS

2



<DATA><SUFFIX>

3



ENTER

ADD A TAB KEY

To add a **Tab** key after scanned data, scan all **THREE** Enter key bar codes above in numerical order then scan all **FIVE** bar codes below in numerical order.

1



SCAN SUFFIX

2



7

3



0

4



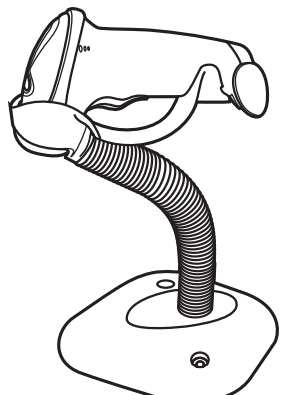
0

5



9

HANDS FREE STAND



SET DEFAULTS



SET DEFAULTS

OPTIMUM SCANNING

123SCAN²

123Scan² is an easy-to-use, PC-based software tool that enables rapid and easy customized setup via a bar code or USB cable. For more information, visit: <http://www.motorola.com/123Scan²>

LED Indications

- Off**: Scanner is on and ready to scan, or no power to scanner
- Green**: Bar code is successfully decoded
- Red**: Transmission error

Beeper Indications

- Standard Use**
- Low/medium/high beep**: Power up
 - Short medium beep**: Bar code decoded
 - 4 long low beeps**: Transmission error detected, data is ignored
- Parameter Menu Scanning**
- High/low/high/low beep**: Successful parameter setting
 - High/low beep**: Correct programming sequence performed
 - Low/High beep**: Incorrect programming sequence or 'Cancel' bar code scanned

Troubleshooting

Scanner not working

- No power to scanner**: Check system power; ensure power supply, if required, is connected
- Incorrect interface cable used**: Ensure that correct interface cable is used
- Interface/power cables are loose**: Ensure all cable connections are secure

Scanner decoding bar code, but data not transmitting to host

- Scanner not programmed for correct host interface**: Scan appropriate host parameter bar codes
- Interface cable is loose**: Ensure all cable connections are secure

Scanned data incorrectly displayed on host

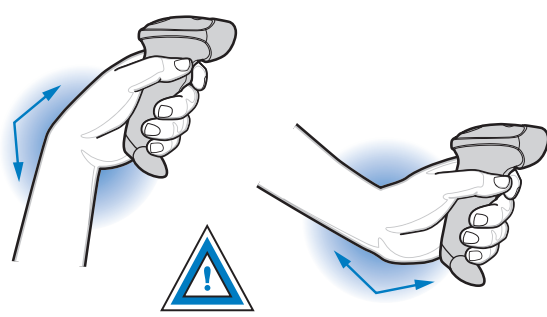
- Scanner not programmed for correct host interface**: Scan appropriate host parameter bar codes

Scanner not decoding bar code

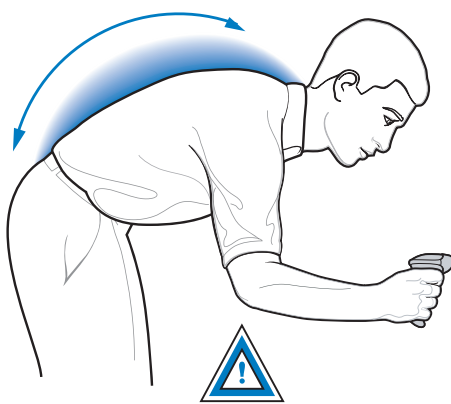
- Scanner not programmed for bar code type**: Ensure scanner is programmed to read type of bar code being scanned
- Bar code unreadable**: Ensure bar code not defaced; try scanning test bar code of same bar code type
- Distance between scanner and bar code incorrect**: Move scanner closer to or further from bar code

RECOMMENDED USAGE GUIDE - OPTIMUM BODY POSTURE

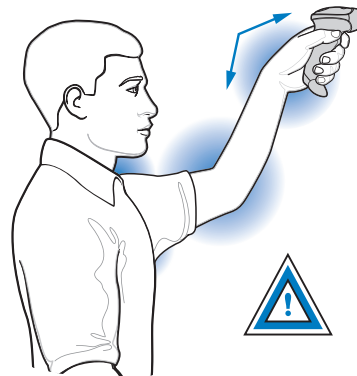
Avoid Extreme Wrist Angles



Avoid Bending



Avoid Reaching



Ergonomic Recommendations

Caution: In order to avoid or minimize the potential risk of ergonomic injury follow the recommendations below. Consult with your local Health & Safety Manager to ensure that you are adhering to your company's safety programs to prevent employee injury.

- Reduce or eliminate repetitive motion
- Maintain a natural position
- Reduce or eliminate excessive force
- Keep objects that are used frequently within easy reach
- Perform tasks at correct heights
- Reduce or eliminate vibration
- Reduce or eliminate direct pressure
- Provide adjustable workstations
- Provide adequate clearance
- Provide a suitable working environment
- Improve work procedures.

REGULATORY INFORMATION

© MOTOROLA, INC. 2012 All rights reserved.

Motorola reserves the right to make changes to any product to improve reliability, function, or design. Motorola does not assume any product liability arising out of, or in connection with, the application or use of any product, circuit, or application described herein. No license is granted, either expressly or by implication, estoppel, or otherwise under any patent right or patent, covering or relating to any combination, system, apparatus, machine, material, method, or process in which Motorola products might be used. An implied license exists only for equipment, circuits, and subsystems contained in Motorola products.

Power Supply

Use ONLY a Motorola approved UL LISTED ITE (IEC/EN 60950-1, LPS) power supply with electrical ratings: output 5 Vdc, min 850mA with a maximum ambient temperature of at least 50 degrees C. Use of an alternative power supply will invalidate any approvals given to this unit and may be dangerous.

Warranty

For the complete Motorola hardware product warranty statement, go to: <http://www.motorolasolutions.com/warranty>

Service Information

If you have a problem using the equipment, contact your facility's Technical or Systems Support. If there is a problem with the equipment, they will contact the Motorola Solutions Support at: <http://www.motorolasolutions.com/support>

Waste Electrical and Electronic Equipment (WEEE)

English: For EU Customers: All products at the end of their life must be returned to Motorola for recycling. For information on how to return product, please go to: <http://www.motorola.com/recycling/veee>.
Български: За клиентите в ЕС: След края на работния живот всички продукти трябва да се върнат на Motorola за рециклиране. За информация относно връщането на продукта, моля посетете сайта: <http://www.motorola.com/recycling/veee>.
Čeština: Pro zákazníky z EU: Všechny produkty je nutné po skončení jejich životnosti vrátit společnosti Motorola k recyklaci. Informace o způsobu vrácení produktu najdete na webové stránce: <http://www.motorola.com/recycling/veee>.
Dansk: Til kunder i EU: Alle produkter skal returneres til Motorola til recykling, når de er udfjældt. Læs oplysningerne om returnering af produkter på: <http://www.motorola.com/recycling/veee>.
Deutsch: Für Kunden innerhalb der EU: Alle Produkte müssen am Ende ihrer Lebensdauer zum Recycling an Motorola zurückgeschickt werden. Informationen zur Rücksendung von Produkten finden Sie unter: <http://www.motorola.com/recycling/veee>.
Eλληνικά: Για τους πελάτες στην Ε.Ε.: Όλα τα προϊόντα, στο τέλος της διάρκειας ζωής τους, πρέπει να επιστρέφονται στην Motorola για επανακύλιση. Για περισσότερες πληροφορίες σχετικά με τον τρόπο επιστροφής των προϊόντων, επισκεφθείτε το διαδικτυακό μας <http://www.motorola.com/recycling/veee> ή το τηλέφωνο: <http://www.motorola.com/recycling/veee>.
Esperanto: Ĉiuj klientoj en Eŭropo devas restitigi ĉiujn produktojn al Motorola por reciklado. Por informoj pri la maniero de restitigo, iru al: <http://www.motorola.com/recycling/veee>.
Français: Clients de l'Union Européenne: Tous les produits au fin de cycle de vie doivent être retournés à Motorola pour recyclage. Pour de plus amples informations sur le retour de produits, consultez: <http://www.motorola.com/recycling/veee>.
Galego: Para clientes en Europa: Todos os produtos ao final do seu ciclo de vida deben ser devolvidos a Motorola para reciclaxe. Para máis información sobre como devolver o produto, visite: <http://www.motorola.com/recycling/veee>.
Italiano: Per i clienti dell'UE: tutti i prodotti che sono giunti al termine del rispettivo ciclo di vita devono essere restituiti a Motorola al fine di consentire il riciclaggio. Per informazioni sulla modalità di restituzione, visitate il seguente sito: <http://www.motorola.com/recycling/veee>.
Latvian: Klientiem Eiropā: Visi produkti pēc sava dzīvības cikla beigām jāatgriež Motorola uz reciklējumu. Par informāciju par atgriešanas procedūru, apmeklējiet vietni: <http://www.motorola.com/recycling/veee>.
Magyar: EU-szeres ügyfelek számára: Minden terméküket le kell juttatni a Motorola vállalkozásunk felé a megadott információk alapján. A termék visszaküldésének módjait a következő linken találhatják meg: <http://www.motorola.com/recycling/veee>.
Malay: Untuk pelanggan di UE: Semua produk yang telah selesai digunakan harus dikembalikan ke Motorola untuk daur ulang. Untuk mengetahui cara mengembalikan produk, kunjungi: <http://www.motorola.com/recycling/veee>.
Nederlands: Voor klanten in de EU: alle producten dienen aan het einde van hun levensduur naar Motorola te worden teruggezonden voor recycling. Raadpleeg: <http://www.motorola.com/recycling/veee> voor meer informatie over het terugsturen van producten.
Polski: Klienci z obszaru Unii Europejskiej: Produkty wycofane z eksploatacji należy zwrócić do firmy Motorola w celu ich odzyskania. Informacje na temat zwrócenia produktów znajdują się na stronie internetowej: <http://www.motorola.com/recycling/veee>.
Portuguese: Para clientes da UE: todos os produtos no fim da vida devem ser devolvidos à Motorola para reciclagem. Para obter informações sobre como devolver o produto, visite: <http://www.motorola.com/recycling/veee>.
Romanian: Pentru clienții din UE: Toate produsele la sfârșitul duratei lor de funcționare, trebuie returnate la Motorola pentru reciclare. Pentru informații despre returnarea produsului, accesați: <http://www.motorola.com/recycling/veee>.
Slovak: Pre zákazníkov z krajiny EÚ: Všetky výrobky musia byť po ukončení doby ich životnosti vrátené spoločnosti Motorola na recykláciu. Viac informácií o vrátení výrobkov nájdete na: <http://www.motorola.com/recycling/veee>.
Slovenian: Za kupce v EU: vsi izdelki na koncu svojega življenjskega cikla morajo biti vračeni podjetju Motorola za recikliranje. Za informacije o vraki izdelkov obiščite: <http://www.motorola.com/recycling/veee>.
Svenska: För kunder inom EU: Alla produkter som uppnått sin livslängd måste returneras till Motorola för återvinning. Information om hur du återlämnar produkter finns på <http://www.motorola.com/recycling/veee>.
Tamil: EU-க்குரிய அனைத்து வாடிக்கையாளர்களும் தங்கள் பயன்பாட்டின் முடிவில் தங்கள் பொருள்களை மொட்டாருக்கு திரும்பி அனுப்ப வேண்டும். திரும்ப அனுப்பும் முறை குறித்து மேலும் தகவல்களை <http://www.motorola.com/recycling/veee> இல் காண்க.
Ukrainian: Для клієнтів в Європі: всі продукти після закінчення терміну їхнього використання потрібно повернути до Motorola для рециклінгу. Для отримання інформації про спосіб повернення продукту, відвідайте веб-сайт: <http://www.motorola.com/recycling/veee>.

Laser Labels

In accordance with Clause 5, IEC 825 and EN60825, the following information is provided to the user:

ENGLISH
CLASS 1 LASER PRODUCT
CLASS 2 LASER PRODUCT

HEBREW
מוצר לייזר רמה 1
מוצר לייזר רמה 2
אזהרה: אל תבטו אל תוך הורדס

ITALIAN / ITALIANO
CLASSE 1 PRODOTTO AL LASER DI CLASSE 1
CLASSE 2 LUCE LASER
NON FISSARE IL RAGGIO/PRODOTTO AL LASER DI CLASSE 2

NORWEGIAN / NORSK
KLASSE 1 LASERPRODUKT, KLASSE 1
KLASSE 2 LASERLYS IKKE STIRR INN ILYSSTRÅLEN LASERPRODUKT, KLASSE 2

PORTUGUESE / PORTUGUÊS
CLASSE 1 PRODUTO LASER DA CLASSE 1
CLASSE 2 LUZ DE LASER NÃO FIXAR O RAIO LUMINOSO PRODUTO LASER DA CLASSE 2

SPANISH / ESPAÑOL
CLASSE 1 PRODUCTO LASER DE LA CLASSE 1
CLASSE 2 LUZ LASER
NO MIRE FIJAMENTE EL HAZ PRODUCTO LASER DE LA CLASSE 2

SWEDISH / SVENSKA
KLASSE 1 LASERPRODUKT KLASSE 1
KLASSE 2 LASERLYS STIRRA INTE MOT STRÅLEN LASERPRODUKT KLASSE 2

CHINESE / 简体中文
1 类 1 类激光产品
2 类 激光切勿注视光束
2 类激光产品

KOREAN / 한국어
1등급 레이저 제품
레이저 광선 이 광선을 주시하지 마십시오.
2등급 레이저 광선

GERMAN / DEUTSCH
KLASSE 1 LASERPRODUKT DER KLASSE 1
KLASSE 2 LASERSTRAHLEN NICHT DIREKT IN DEN LASERSTRAHL SCHAUEN LASERPRODUKT DER KLASSE 2

JAPANESE / 日本語
第1種 レーザー製品
第2種 レーザー光線 光線を見つめないでください
第2種 レーザー製品

For Australia Only

This warranty is given by Motorola Solutions Australia Pty Limited (ABN16 004 742 312) of Tally Ho Business Park, 10 Wesley Court, Burwood East, Victoria. Our goods come with guarantees that cannot be excluded under the Australia Consumer Law. You are entitled to a replacement or refund for a major failure and compensation for any other reasonably foreseeable loss or damage. You are also entitled to have the goods repaired or replaced if the goods fail to be of acceptable quality and the failure does not amount to a major failure. Motorola Solutions Australia's limited warranty above is in addition to any rights and remedies you may have under the Australian Consumer Law. If you have any queries, please call Motorola Solutions Australia at 1800 457 439. You may also visit our website: http://www.motorola.com/Business/XA-EN/Pages/Contact_Us for the most updated warranty terms.

Ukraine

Дане обднання відповідає вимогам технічного регламенту №1057, № 2008 щодо використання деяких небезпечних речовин в електричних та електронних пристроях на обмеженнях

Regulatory Information

This device is approved under the Symbol Technologies, Inc. brand: Symbol Technologies is a wholly owned subsidiary of Motorola Solutions, Inc. (collectively "Motorola"). This guide applies to Model Number LS2208. All Motorola devices are designed to be compliant with rules and regulations in locations they are sold and will be labeled as required.

Local language translations are available at the following website: <http://www.motorolasolutions.com/support>

Laser Devices

Symbol products using lasers complies with 21CFR1040.10 and 1040.11 except for deviations pursuant to laser notice No. 50, dated June 24, 2007 and IEC 60825-1 (Ed. 2.0), EN60825-1:2007. The laser classification is marked on one of the labels on the product. Class 1 Laser devices are not considered to be hazardous when used for their intended purpose.

The following statement is required to comply with US and international regulations:

Caution: Use of controls, adjustments or performance of procedures other than those specified herein may result in hazardous laser light exposure.

Class 2 laser scanners use a low power, visible light diode. As with any very bright light source, such as the sun, the user should avoid staring directly into the light beam. Momentary exposure to a Class 2 laser is not known to be harmful.

Radio Frequency Interference Requirements

Note: This equipment has been tested and found to comply with the limits for a Class B digital device, pursuant to Part 15 of the FCC rules. These limits are designed to provide reasonable protection against harmful interference in residential installation. This equipment generates, uses and can radiate radio frequency energy and, if not installed and used in accordance with the instruction manual, may cause harmful interference to radio communications. However there is no guarantee that interference will not occur in a particular installation. If this equipment does cause harmful interference to radio or television reception, which can be determined by turning the equipment off and on, the user is encouraged to try to correct the interference by one or more of the following measures:

- Reorient or relocate the receiving antenna
- Increase the separation between the equipment and receiver
- Connect the equipment into an outlet on a circuit different from that to which the receiver is connected
- Consult the dealer or an experienced radio/TV technician for help.

Radio Frequency Interference Requirements – Canada

This Class B digital apparatus complies with Canadian ICES-003. Cet appareil numérique de la classe B est conforme à la norme NMB-003 du Canada.

Marking and European Economic Area (EEA)

CE
Statement of Compliance
Motorola hereby declares that this device is in compliance with all the applicable Directives, 2004/108/EC, 2006/95/EC and 2011/65/EU. A Declaration of Conformity may be obtained from the following web site: <http://www.motorolasolutions.com/doc>

Japan (VCCI) - Voluntary Control Council for Interference

この装置は、情報処理装置等電波障害自主規制協議会（VCCI）の基準に基づくクラスB情報技術装置です。この装置は、家庭環境で使用することを目的としていますが、この装置がラジオやテレビジョン受信機に近接して使用されると、受信障害を引き起こすことがあります。取扱説明書に従って正しい取り扱いをして下さい。 This is a Class B product based on the standard of the Voluntary Control Council for Interference from Information Technology Equipment (VCCI). If this is used near a radio or television receiver in a domestic environment, it may cause radio interference. Install and use the equipment according to the instruction manual.

POST IN WORK AREA

MOTOROLA
Motorola, Inc. One Motorola Plaza, Holtsville, New York 11742-1300, USA
<http://www.motorolasolutions.com>

MOTOROLA, MOTO, MOTOROLA SOLUTIONS and the Stylized M Logo are trademarks or registered trademarks of Motorola Trademark Holding, LLC and are used under license. All other trademarks are the property of their respective owners. © Motorola, Inc. 2012. All rights reserved.



72-71882-01 Revision E December 2012

LS2208

<http://www.motorola.com/ls2208>